

Schlüter®-DILEX-KS/-KSA

Movement joint profile
for heavy duty applications

4.8

Product data sheet

Application and Function

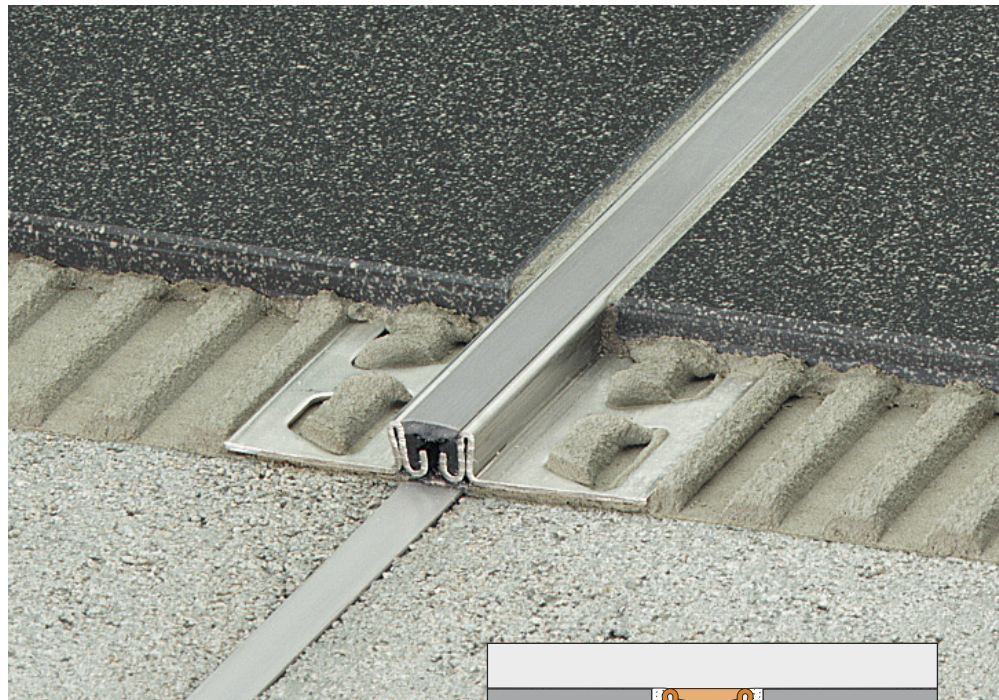
Schlüter®-DILEX-KS is a maintenance free movement profile for tile, natural stone and surface coatings subjected to high mechanical stresses.

Schlüter®-DILEX-KS offers secure edge protection for surfaces exposed to continuous vehicular traffic and is, therefore, suited for use in warehouses, production facilities, shopping centres and car parks, or for floor surfaces maintained with cleaning machines. The trapezoid perforated lateral attachment profiles of stainless steel or aluminium are connected with an 11 mm or 6 mm soft movement zone of thermoplastic elastomer. The profile's rubber insert is replaceable in case of damage (not applicable to profile heights 2.5, 4.5 and 6 mm). The side sections of the profile provide effective edge protection for the surface covering.

Schlüter®-DILEX-KSA is used to create flexible connection joints with fixed structural components.

The self adhesive strips of the profile, e.g. at window and door elements. Schlüter®-DILEX-KSA uses the same trapezoid perforated anchoring leg as Schlüter®-DILEX-KS to ensure an identical visual appearance. Schlüter®-DILEX-KS and Schlüter®-DILEX-KSA assist in reducing the transmission of impact sound.

The trapezoid perforated lateral attachment profile of stainless steel or aluminium are connected with a 10 mm soft movement zone of thermoplastic elastomer.



Material

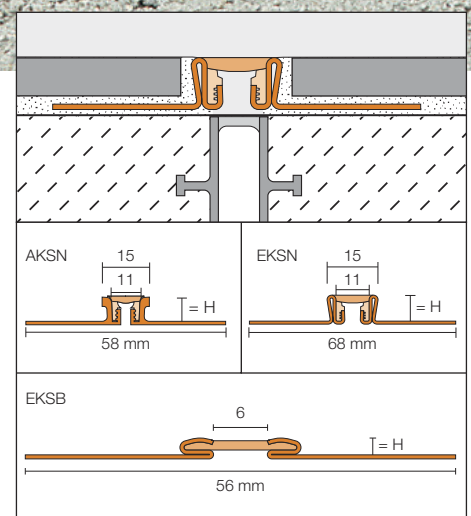
E = Stainless steel

V2A, material no. 1.4301 = AISI 304

V4A, material no. 1.4404 = AISI 316L

A = Aluminium

The movement zone consists of highly flexible thermoplastic rubber with inserts made of a harder material.





Material properties and areas of application

The suitability of a proposed type of profile must be verified based on the anticipated chemical, mechanical and/or other stresses. Schlüter®-DILEX-EKSN/-EKSB/-EKSA with stainless steel support profiles made of material no. 1.4301 (V2A) or 1.4404 (V4A) are especially suitable for applications which, in addition to high mechanical durability, require resistance to chemical stresses from sources such as acidic or alkaline media, cleaning detergents, or de-icing salt. The use of V4A is recommended if consistent exposure is expected, for example in the case of swimming pools (fresh water). Even stainless steel is not resistant to all chemical stresses, and may be affected by hydrochloric and hydrofluoric acid or certain chloride and brine concentrations. Special anticipated stresses should therefore be verified in advance. Depending on the anticipated chemical stresses, customers can choose between the alloy materials 1.4301 V2A or 1.4404 V4A.

Schlüter®-DILEX-AKSN/-AKSA with lateral anchoring leg profiles of aluminium are sensitive to alkaline media. Cementitious materials, in conjunction with moisture become alkaline. Since aluminium is sensitive to alkaline substances exposure to the alkali (depending on the concentration and duration of exposure) may result in corrosion (aluminium hydroxide formation). For this reason, remove mortar or grouting material immediately from all visible areas and do not cover freshly installed coverings with foil. It must be ensured that the profile is solidly embedded in the setting material to prevent alkaline water from accumulating in small cavities. The movement zones of all Schlüter®-DILEX-KS and -KSA profile types consist of highly flexible thermoplastic rubber. This material is UV-resistant, suitable for outdoor use, and resistant to the chemical stresses typically associated with tile coverings and has been specially treated to resist fungi and bacteria.

The insert is resistant to temperatures ranging from -60 °C to +100 °C. The thermoplastic elastomer can be heat bonded to extend the profile length.

Installation Schlüter®-DILEX-KS

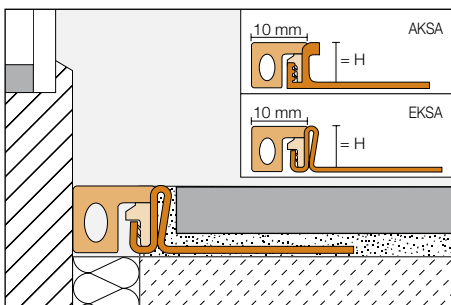
Installation for tile and natural stone surfaces:

1. Select Schlüter®-DILEX-KS according to the tile thickness.
2. Apply tile adhesive to the area where profile is to be installed, using a notched trowel.
3. Press the trapezoid perforated anchoring leg of Schlüter®-DILEX-KS firmly into the adhesive and align it. The profile must align directly with expansion and movement joints in the substrate below.
4. Trowel tile adhesive over the trapezoid perforated anchoring leg to ensure full coverage. Trowel tile adhesive against the vertical anchoring legs at an angle.
5. Firmly press the adjoining tiles into place and align them in such a way that the upper profile edge is flush with the tile (profile should not protrude over the surface of the covering; preferably, it should be approx. 1 mm below the top level of the covering). The tiles must be fully embedded in the area of the profile. Always adjoin the uncut tile edge to the profile.
6. Leave a 2-mm joint to the profile, and completely fill the joint between the profile and the tile with mortar.

Installation for coatings:

1. Select Schlüter®-DILEX-KS according to the thickness of the covering.
2. Apply a contact layer in the area where profile is to be installed.
3. Press the trapezoid perforated anchoring leg of Schlüter®-DILEX-KS firmly into the adhesive and align it. The profiles may need to be cleaned and degreased prior to installation. The profile must align directly with expansion and movement joints in the substrate below.
4. Trowel coating material over the trapezoid perforated anchoring leg. The finished surface coating should be flush with the upper edge of the profile.

Note: The profile should not be higher than the coating surface but flush or up to approx. 1 mm lower.



Schlüter®-DILEX-KSA



Installation Schlüter®-DILEX-KSA

1. Select Schlüter®-DILEX-KSA according to the tile thickness.
2. Apply tile adhesive to the area where the profile is to be installed, using a notched trowel.
3. Peel off the silicone paper of the self-adhesive strip at the profile. Attach the profile to the cleaned structural element with the self-adhesive strip in such a way that the trapezoid perforated anchoring leg can be pressed into the fresh tile adhesive.
4. Trowel tile adhesive over the trapezoid perforated anchoring leg to ensure full coverage. Trowel tile adhesive against the vertical anchoring legs at an angle.
5. Firmly press the adjoining tiles into place and align them in such a way that the upper profile edge is flush with the tile (profile should not protrude over the surface of the covering; preferably, it should be approx. 1 mm below the top level of the covering). The tiles must be fully embedded in the area of the profile. Always adjoin the uncut tile edge to the profile.
6. Leave a 2-mm joint to the profile, and completely fill the joint between the profile and the tile with mortar.

Maintenance

Schlüter®-DILEX-KS and Schlüter®-DILEX-KSA are specially treated to resist the growth of fungi and bacteria and require no special maintenance or care. The movement zone of thermoplastic rubber can be subsequently replaced (except for sizes 2.5, 4.5 and 6 mm). Stainless steel surfaces exposed to the environment or aggressive substances should be cleaned periodically using a mild household cleaner. Regular cleaning maintains the neat appearance of stainless steel and reduces the risk of corrosion. All cleaning agents

must be free of hydrochloric and hydrofluoric acid. Avoid contact with other metals, such as regular steel, to prevent corrosion. This also includes installation tools such as trowels or steel wool, e.g., for the removal of mortar residue.

Text template for tenders:

Supply
 ____ linear metres of Schlüter®-DILEX-KS as a movement profile with support sections and trapezoid perforated anchoring legs made of

- E = Stainless steel
- EV4A = Stainless steel 1.4404 (V4A)
- A = Aluminium

with trapezoid perforated anchoring legs and an 11 mm movement zone of thermoplastic rubber installed in a U-shaped profile chamber, to be supplied and professionally installed as part of the tile installation, while observing the manufacturer's instructions.

Profile height
 (depending on tile thickness): _____ mm

Colour: _____

Art.-No.: _____

Material: _____/m

Labour: _____/m

Total: _____/m

Text template for tenders:

Supply
 ____ linear metres of Schlüter®-DILEX-EKSB as a movement joint profile with laterally attached stainless steel profiles with trapezoid perforated anchoring legs and a 6 mm movement zone of thermoplastic rubber, to be supplied and professionally installed as part of coating or tile installation, while observing the manufacturer's instructions.

- E = Stainless steel
- EV4A = Stainless steel 1.4404 (V4A)

Profile height
 (depending on covering thickness): _____ mm

Colour: _____

Art.-No.: _____

Material: _____/m

Labour: _____/m

Total: _____/m

Text template for tenders:

____ linear metres of Schlüter®-DILEX-KSA as a connecting profile with lateral metal profiles, made of

- E = Stainless steel
- EV4A = Stainless steel 1.4404 (V4A)
- A = Aluminium

with trapezoid perforated anchoring legs and a 10 mm movement zone of thermoplastic rubber installed in a U-shaped profile chamber, to be supplied and professionally installed as part of the tile installation, while observing the manufacturer's instructions.

Profile height
 (depending on tile thickness): _____ mm

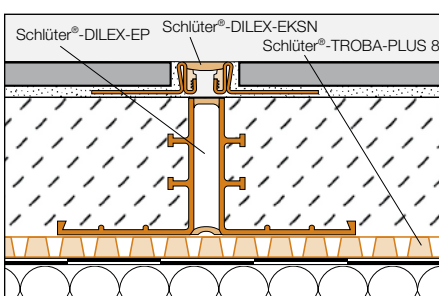
Colour: _____

Art.-No.: _____

Material: _____/m

Labour: _____/m

Total: _____/m





Product Overview

Schlüter®-DILEX-AKSN

A = aluminium Length supplied: 2.50 m

Colours	G	HB	PG	GS
H = 8 mm	•	•	•	•
H = 10 mm	•	•	•	•
H = 11 mm	•	•	•	•
H = 12.5 mm	•	•	•	•
H = 14 mm	•	•	•	•
H = 16 mm	•	•	•	•

Schlüter®-DILEX-EKSN

E = stainless steel Length supplied: 2.50 m

Colours	G	HB	PG	GS
H = 8 mm	•	•	•	•
H = 10 mm	•	•	•	•
H = 11 mm	•	•	•	•
H = 12.5 mm	•	•	•	•
H = 14 mm	•	•	•	•
H = 16 mm	•	•	•	•
H = 18.5 mm	•	•	•	•
H = 21 mm	•	•	•	•
H = 25 mm	•	•	•	•
H = 30 mm	•	•	•	•

Schlüter®-DILEX-EKSN V4A

EV4A = stainless steel 1.4404 Length supplied: 2.50 m

Colours	G	HB	PG	GS
H = 8 mm	•	•	•	•
H = 10 mm	•	•	•	•
H = 11 mm	•	•	•	•
H = 12.5 mm	•	•	•	•
H = 14 mm	•	•	•	•
H = 16 mm	•	•	•	•

Colours: G = grey, HB = light beige, PG = pastel grey, GS = black

Schlüter®-DILEX-AKSA

A = aluminium Length supplied: 2.50 m

Colours	G	HB	PG	GS
H = 8 mm	•	•	•	•
H = 10 mm	•	•	•	•
H = 11 mm	•	•	•	•
H = 12.5 mm	•	•	•	•
H = 14 mm	•	•	•	•

Schlüter®-DILEX-EKSA

E = stainless steel Length supplied: 2.50 m

Colours	G	HB	PG	GS
H = 8 mm	•	•	•	•
H = 10 mm	•	•	•	•
H = 11 mm	•	•	•	•
H = 12.5 mm	•	•	•	•
H = 14 mm	•	•	•	•
H = 16 mm	•	•	•	•
H = 18.5 mm	•	•	•	•
H = 21 mm	•	•	•	•
H = 25 mm	•	•	•	•
H = 30 mm	•	•	•	•

Schlüter®-DILEX-EKSA V4A

EV4A = stainless steel 1.4404 Length supplied: 2.50 m

Colours	G	HB	PG	GS
H = 8 mm	•	•	•	•
H = 10 mm	•	•	•	•
H = 11 mm	•	•	•	•
H = 12.5 mm	•	•	•	•
H = 14 mm	•	•	•	•
H = 16 mm	•	•	•	•

Schlüter®-DILEX-EKSB

E = stainless steel Length supplied: 2.50 m

Colours	G	HB	PG	GS
H = 2.5 mm	•	•	•	•
H = 4.5 mm	•	•	•	•
H = 6 mm	•	•	•	•

Schlüter®-DILEX-EKSB V4A

EV4A = stainless steel 1.4404 Length supplied: 2.50 m

Colours	G	HB	PG	GS
H = 2.5 mm	•	•	•	•
H = 4.5 mm	•	•	•	•
H = 6 mm	•	•	•	•

Schlüter®-DILEX-KS/EL

Colours	G	HB	PG	GS
Insert 11 mm	•	•	•	•

Schlüter®-DILEX-KSA/EL

Colours	G	HB	PG	GS
Insert 10 mm	•	•	•	•

